

Economy Industrial Ball Valves (Imported)

Wabtec Corporation offers imported ball valves designed for industrial applications including steam, water, oil, gas and corrosive materials at affordable prices.

Our imported valves offer cost savings for you without loss of quality in your systems.

2 Way Forged Brass Ball Valve



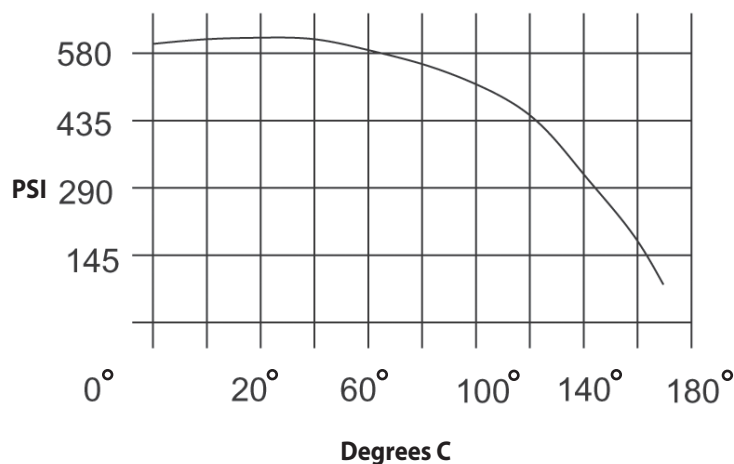
Features:

- 600 WOG, quarter turn valve
- Available with standard or locking handle (sold separately)
- Full port standard
- Teflon seals with adjustable stem packing material
- Forged brass body
- Chrome plated, solid brass ball

Benefits:

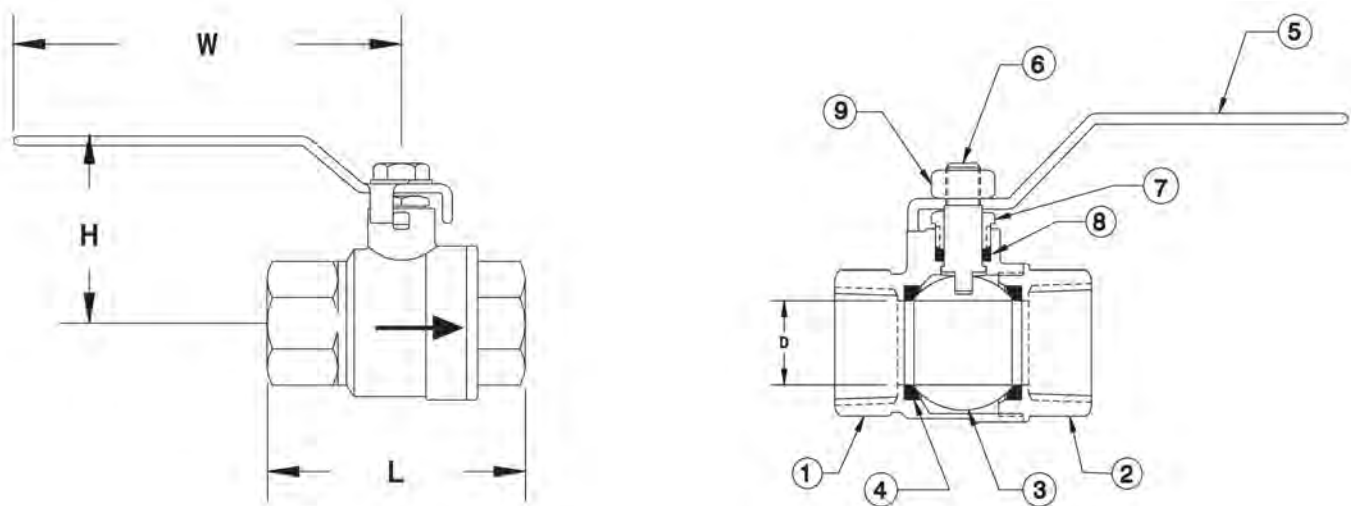
- UL Listed & CSA Certified
- Meets CGA 3.16 regulations and ASME B16.33 specifications
- Our imported valves offer superior quality at a great value
- Imported valves are in stock and can ship within 24 to 48 hours to reduce downtime

Pressure vs. Temperature Curve



Economy Industrial Ball Valves (Imported)

Size & Ordering Information:



Valve Part Number	Size	L	W	H	Opening
C2CTTXX	1/2	2.21	3.74	1.81	.55
C2DTTXX	3/4	2.40	4.33	2.00	.75
C2ETTXX	1	2.93	4.33	2.25	.95
C2FTTXX	1-1/4	3.23	5.31	2.80	1.23
C2GTTXX	1-1/2	3.70	5.31	3.00	1.50
C2HTTXX	2	4.33	6.25	3.37	1.94

#	Part Name	Material	#	Part Name	Material
1	Body	Brass	6	Stem	Brass
2	End Cap	Brass	7	Gland Nut	Brass
3	Ball	Brass, Chrome plated	8	Stem Packing	PTFE
4	Seat	PTFE	9	Nut	Brass
5	Handle	Zinc Plated Steel Plasticoated			

Optional Locking Handle:

Handle Part Number	Valve Size	A	B	Lock Opening
U2C00LH	Fits 1/2" Valves	4-1/4	1-3/4	3/16
U2D00LH	Fits 3/4" to 1" Valves	4-3/4	2	5/16
U2F00LH	Fits 1-1/4" to 2" Valves	5-1/2	1-1/2	5/16

Wabtec Corporation
1001 Air Brake Avenue
Wilmerding, PA 15148

412.825.1000
888.223.9792

valves@wabtec.com
www.wabtecvalves.com



WLP-0309-5
©2009 Wabtec Corporation